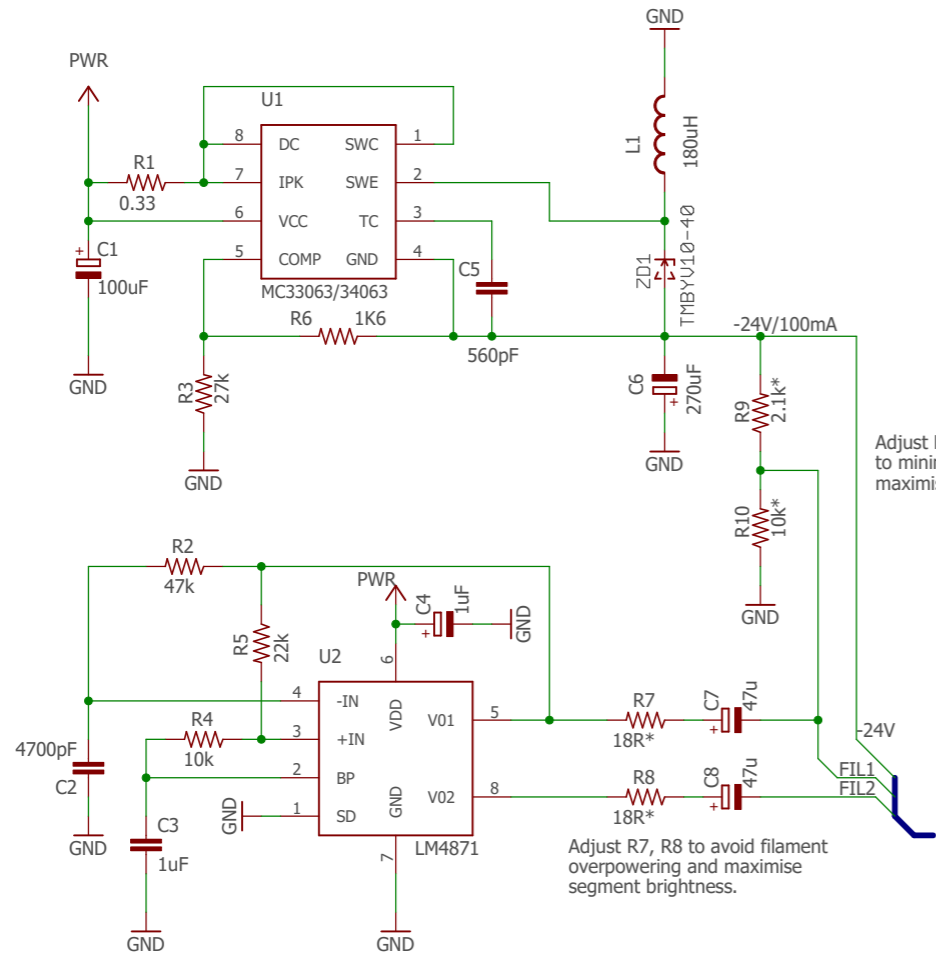


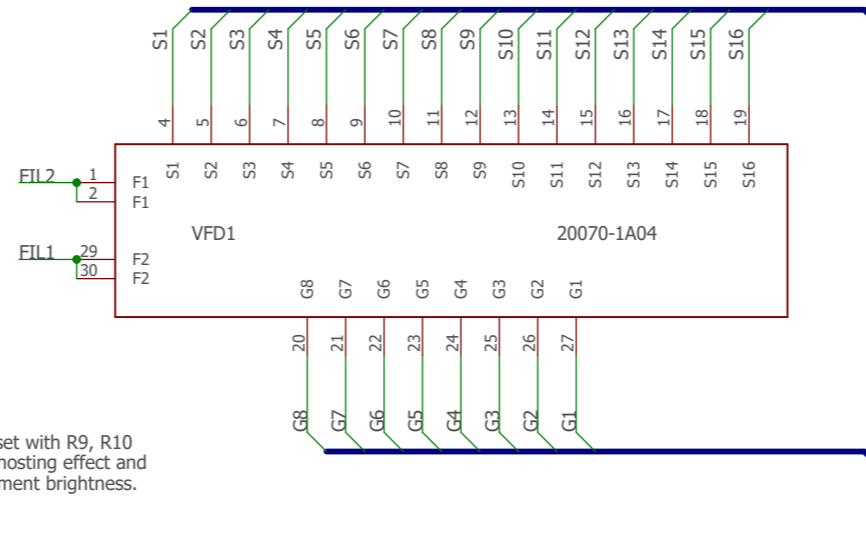
# HV & Filament PSU



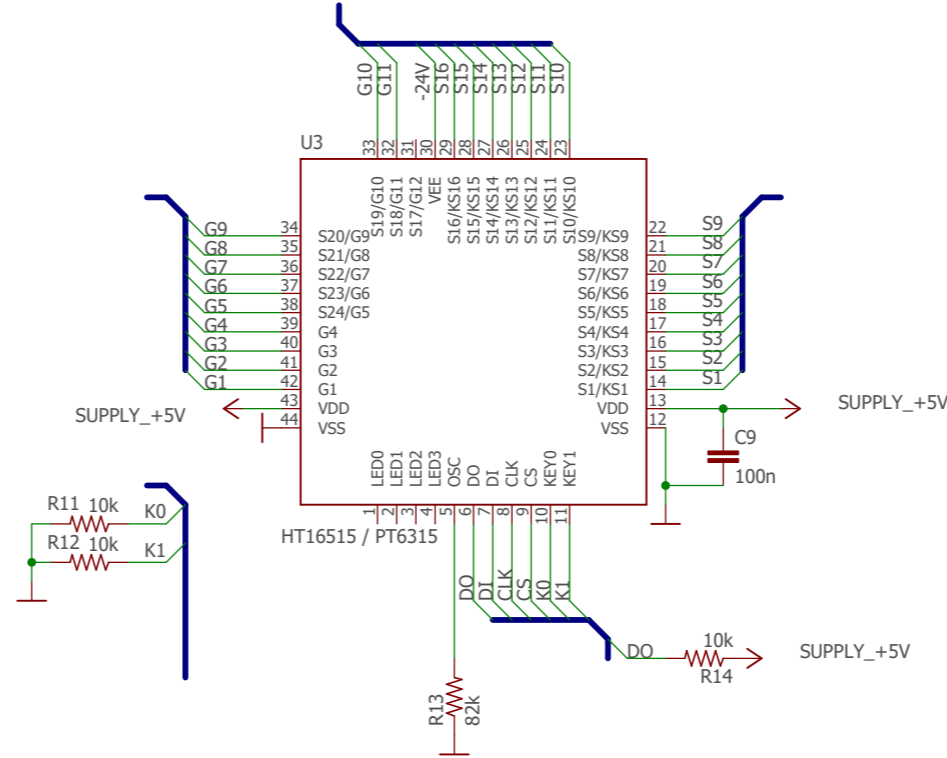
Adjust DC offset with R9, R10 to minimise ghosting effect and maximise segment brightness.

Adjust R7, R8 to avoid filament overpowering and maximise segment brightness.

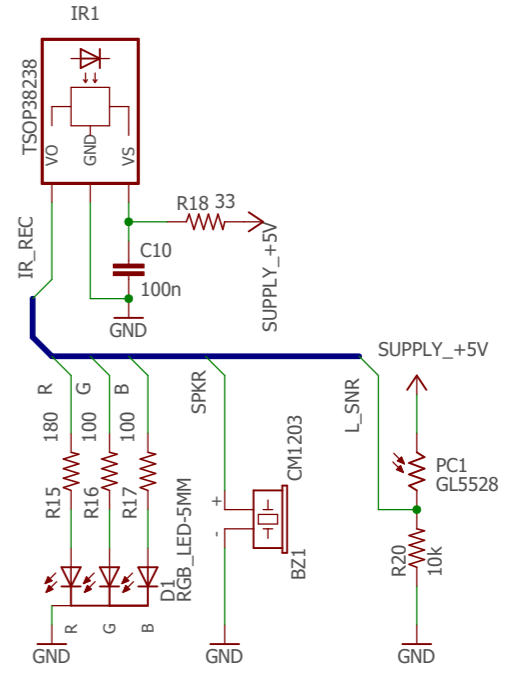
# VFD (16 seg./8 digits)



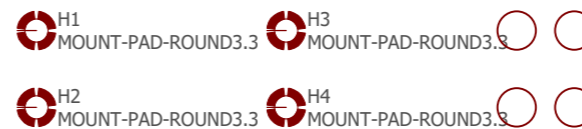
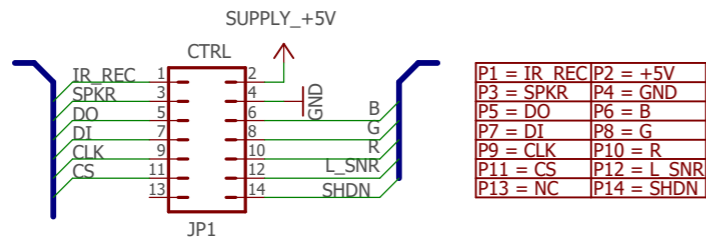
# Driver/Controller



# Peripheral



# Interfaces



Released under the Creative Commons Attribution Share-Alike 3.0 License  
<http://creativecommons.org/licenses/by-sa/3.0>

Magictale http://magictale.com	MVFDPanel_16S8D_V2
Magictale VFDpanel 16 Segments x 8 Digits	8/14/2016 8:55 PM
drawn by Dmitry Pakhomenko	Sheet: 1/1