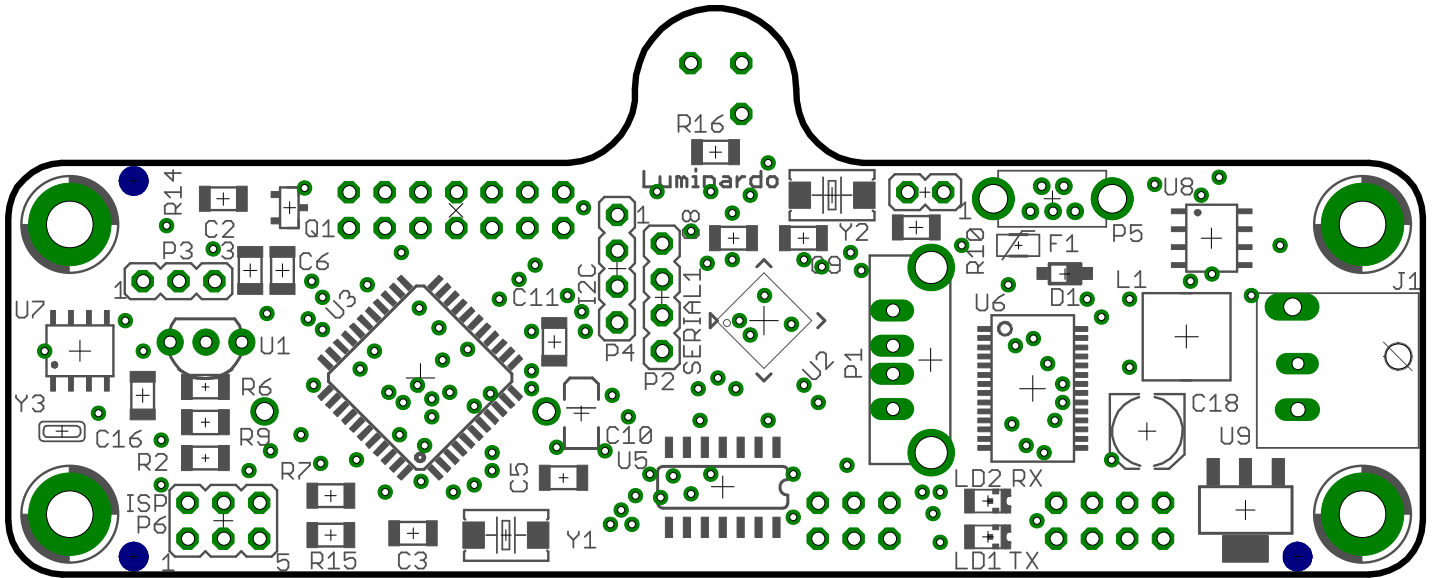


Luminardo
 REV 2.1, 2016.11.09
 CC3.0
<http://magictale.com>

Pict 1. Luminardo 2.1 top side component layout



Pict 2. Luminardo 2.1 bottom side component layout