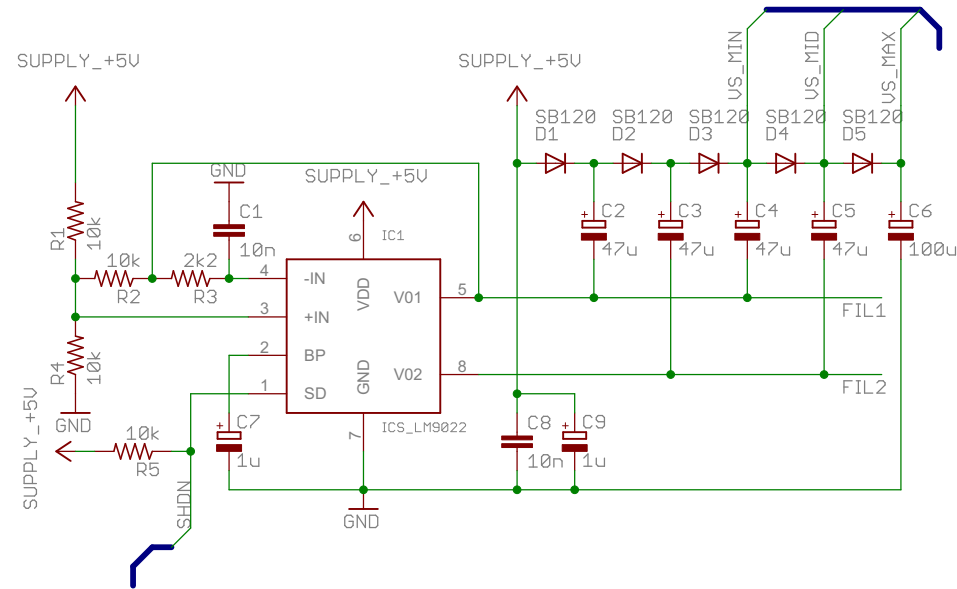
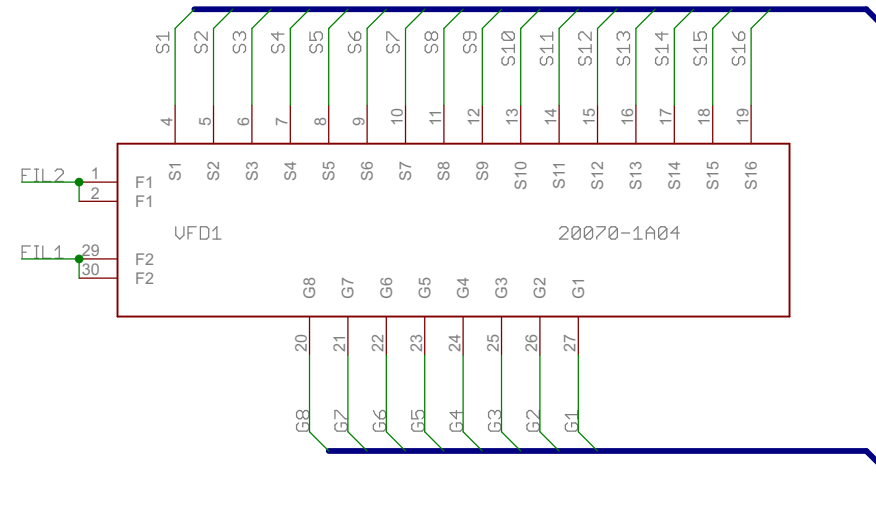


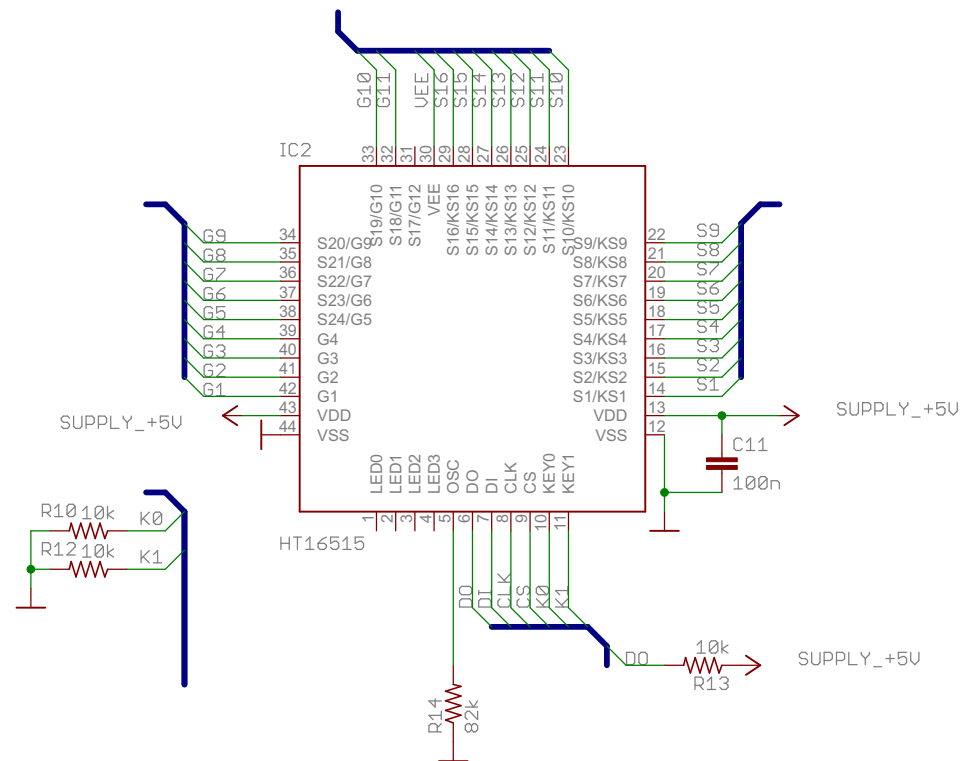
HV & Filament PSU



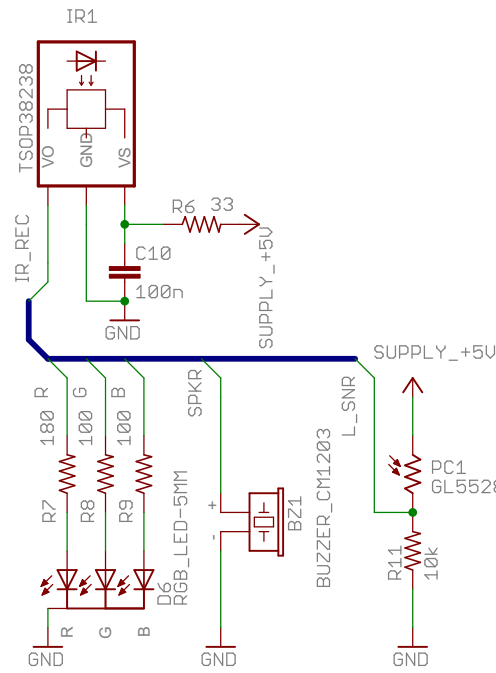
VFD (16 seg./8 digits)



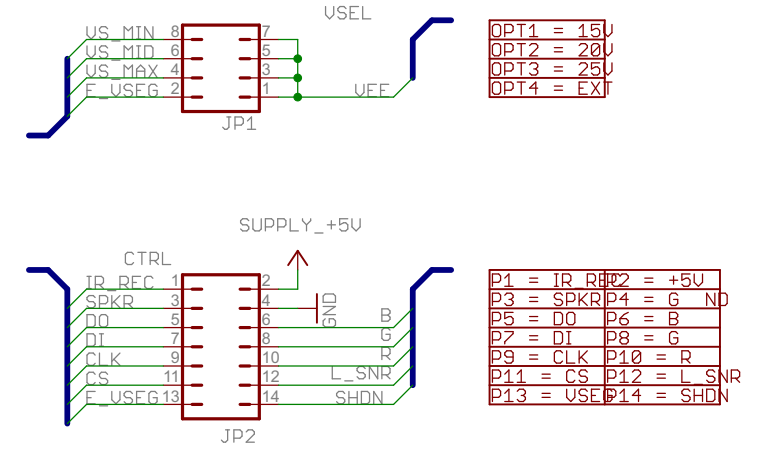
Driver/Controller



Peripheral



Interfaces



Released under the Creative Commons Attribution Share-Alike 3.0 License
<http://creativecommons.org/licenses/by-sa/3.0>

Magictale http://atmega.magictale.com	MUFDPan1_16S8D
Magictale VFDpanel 16 Segments x 8	4/16/2013 8:24:00 PM
drawn by Dmitry Pakhomenko	Sheet: 1/1