

# C328-7640 User Manual

## Release Note:

1. Jan 28, 2004 – official released v1.0
2. Feb 24, 2004 – official released v1.1
  - Fix the definition of verify code
  - Fix the bug of unable jump to power save mode
  - Fix the incorrect connection speed after wake up from power save mode
3. Apr 24, 2004 – official released v2.0
  - Add auto baud-rate detection
  - Add support of 9600bps, 19200bps, 38400bps
  - Disable the 8-bit colour for uncompressed picture
4. Apr 12, 2005 – official released v2.1
  - Add command to change the light frequency between 50/60 Hz
  - Add more descriptions of the resolution selection
5. Aug 19, 2005 – official released v3.0
  - Add description of the auto power mode
  - Add FAQ section



Rm 802, Nan Fung Ctr, Castle Peak Rd, Tsuen Wan NT, Hong Kong

Tel: (852) 2498 6248

Fax (852) 2414 3050

Email: [sales@comedia.com.hk](mailto:sales@comedia.com.hk)

<http://www.comedia.com.hk>

## General Description

The C328 module is a highly integrated serial camera board that can be attached to a wireless or PDA host performing as a video camera or a JPEG compressed still camera. It provides a serial interface (RS-232) and JPEG compression engine to act as a low cost and low powered camera module for high-resolution serial bus security system or PDA accessory applications.

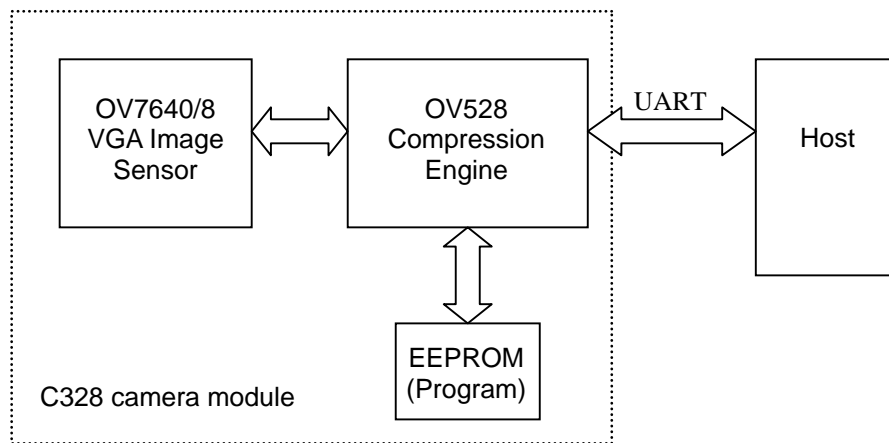


Figure 1 – System block diagram

## Features

- Small in size, low cost and low powered (3.3V) camera module for high-resolution serial bus security system or PDA accessory applications.
- On-board EEPROM provides a command-based interface to external host via RS-232.
- UART: 115.2Kbps for transferring JPEG still pictures or 160x128 preview @8bpp with 0.75fps.
- On board OmniVision OV7640/8 VGA color sensor.
- Built-in JPEG CODEC for different resolutions.
- Built-in down sampling, clamping and windowing circuits for VGA, QVGA, 160x120 or 80x60 image resolutions.
- Built-in color conversion circuits for 2-bit gray, 4-bit gray, 8-bit gray, 12-bit RGB, 16-bit RGB or standard JPEG preview images.
- No external DRAM required.

## System Configuration

1. Camera Sensor  
The C328-7640 module uses OmniVision OV7640/8 VGA color digital CameraChips with an 8-bit YCbCr interface.
2. OV528 Serial Bridge  
The OV528 Serial Bridge is a JPEG CODEC embedded controller chip that can compress and transfer image data from CameraChips to external device. The OV528 takes 8-bit YCbCr 422 progressive video data from an OV7640/8 CameraChip. The camera interface synchronizes with input video data and performs down sampling, clamping and windowing functions with desired resolution, as well as color conversion that is requested by the user through serial bus host commands.  
The JPEG CODEC can achieve higher compression ratio and better image quality for various image resolutions.
3. Program EEPROM  
A serial type program memory is built-in for C328-7640 to provide a set of user-friendly command interfacing to external host.

**Board Layout**

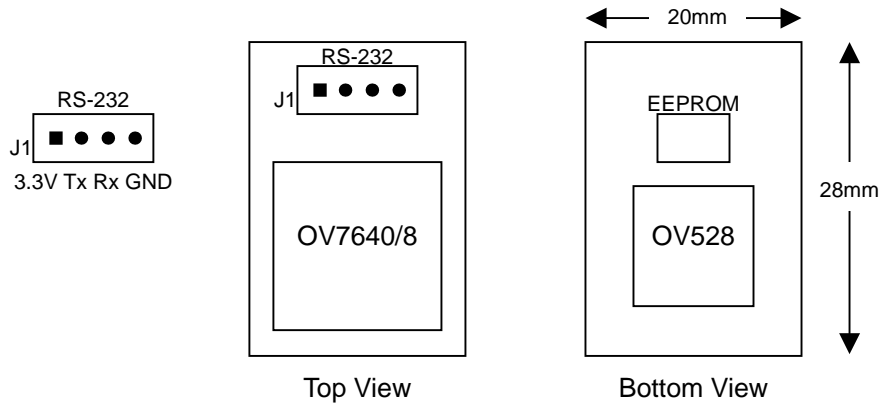


Figure 2 – C328-7640 board layout and serial interface pin

**Serial Interface**

1. Single Byte Timing Diagram

A single byte RS-232 transmission consists of the start bit, 8-bit contents and the stop bit. A start bit is always 0, while a stop bit is always 1. LSB is sent out first and is right after the start bit.

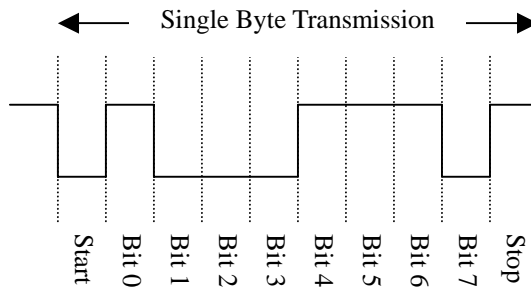


Figure 3 – RS-232 single byte timing diagram

2. Command Timing Diagram

A single command consists of 6 continuous single byte RS-232 transmissions. The following is an example of SYNC (AA0D0000000h) command.

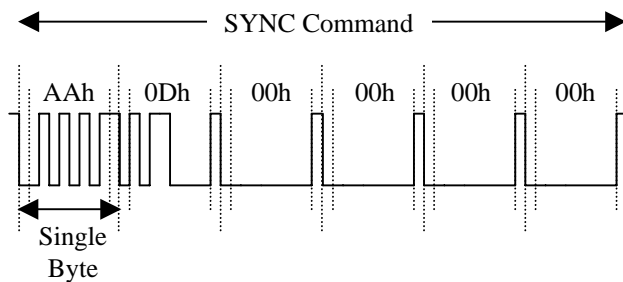


Figure 4 – RS-232 SYNC command timing diagram

## Command Set

The C328-7640 module supports total 11 commands for interfacing to host as following:

Command	ID Number	Parameter1	Parameter2	Parameter3	Parameter4
Initial	AA01h	00h	Color Type	RAW Resolution (Still image only)	JPEG Resolution
Get Picture	AA04h	Picture Type	00h	00h	00h
Snapshot	AA05h	Snapshot Type	Skip Frame Low Byte	Skip Frame High Byte	00h
Set Package Size	AA06h	08h	Package Size Low Byte	Package Size High Byte	00h
Set Baudrate	AA07h	1st Divider	2nd Divider	00h	00h
Reset	AA08h	Reset Type	00h	00h	xxh*
Power Off	AA09h	00h	00h	00h	00h
Data	AA0Ah	Data Type	Length Byte 0	Length Byte 1	Length Byte 2
SYNC	AA0Dh	00h	00h	00h	00h
ACK	AA0Eh	Command ID	ACK counter	00h / Package ID Byte 0	00h / Package ID Byte 1
NAK	AA0Fh	00h	NAK counter	Error Number	00h
Light Frequency	AA13h	Frequency Type	00h	00h	00h

\* If the parameter is 0xFF, the command is a special Reset command and the firmware responds to it immediately.

### 1. Initial (AA01h)

The host issues this command to configure the preview image size and color type. After receiving this command, the module will send out an ACK command to the host if the configuration success. Otherwise, an NACK command will be sent out.

#### 1.1 Color Type

C328-7640 can support 7 different color types as follow:

2-bit Gray Scale	01h
4-bit Gray Scale	02h
8-bit Gray Scale	03h
12-bit Color	05h
16-bit Color	06h
JPEG	07h

#### 1.2 Preview Resolution

80x60	01h
160x120	03h

#### 1.3 JPEG Resolution

Since the Embedded JPEG Code can support only multiple of 16, the JPEG preview mode can support following image sizes. It is different from normal preview mode.

80x64	01h
160x128	03h
320x240	05h
640x480	07h

**2. Get Picture (AA04h)**

The host gets a picture from C328-7640 by sending this command.

2.1 Picture Type

Snapshot Picture	01h
Preview Picture	02h
JPEG Preview Picture	05h

**3. Snapshot (AA05h)**

C328-7640 keeps a single frame of JPEG still picture data in the buffer after receiving this command.

3.1 Snapshot Type

Compressed Picture	00h
Uncompressed Picture	01h

3.2 Skip Frame Counter

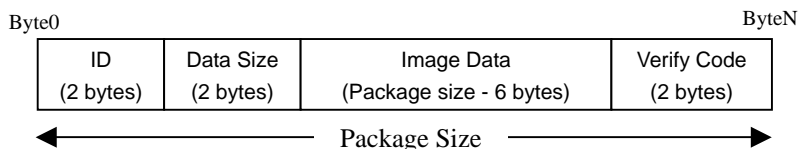
The number of dropped frames can be defined before compression occurs. "0" keeps the current frame, "1" captures the next frame, and so forth.

**4. Set Package Size (AA06h)**

The host issues this command to change the size of data package which is used to transmit JPEG image data from the C328-7640 to the host. This command should be issued before sending Snapshot command or Get Picture command to C328-7640. It is noted that the size of the last package varies for different image.

4.1 Package Size

The default size is 64 bytes and the maximum size is 512 bytes.



- ID -> Package ID, starts from zero for an image
- Data Size -> Size of image data in the package
- Verify Code -> Error detection code, equals to the lower byte of sum of the whole package data except the verify code field. The higher byte of this code is always zero. i.e. verify code = lowbyte(sum(byte[0] to byte[N-2]))

Note: As the transmission of uncompressed image is not in package mode, it is not necessary to set the package size for uncompressed image.

## 5. Set Baudrate (AA07h)

Set the C328-7640 baud rate by issuing this command. As the module can auto-detect the baud rate of the incoming command, host can make connection with one of the following baud rate in the table. The module will keep using the detected baud rate until physically power off

### 5.1 Baudrate Divider

Baudrate = 14.7456MHz / 2 x (2nd Divider + 1) / 2 x (1st Divider + 1)

Baudrate	1 <sup>st</sup> Divider	2 <sup>nd</sup> Divider	Baudrate	1 <sup>st</sup> Divider	2 <sup>nd</sup> Divider
7200 bps	ffh	01h	28800 bps	3fh	01h
9600 bps	bffh	01h	38400 bps	2fh	01h
14400 bps	7fh	01h	57600 bps	1fh	01h
19200 bps	5fh	01h	115200 bps	0fh	01h

## 6. Reset (AA08h)

The host reset C328-7640 by issuing this command.

### 6.1 Reset Type

“00h” resets the whole system. C328-7640 will reboot and reset all registers and state machines. “01h” resets state machines only.

## 7. Power Off (AA09h)

C328-7640 will go into sleep mode after receiving this command. SYNC command (AA0Dh) must be sent to wake up C328-7640 for certain period until receiving ACK command from C328-7640.

## 8. Data (AA0Ah)

C328-7640 issues this command for telling the host the type and the size of the image data which is ready for transmitting out to the host.

### 8.1 Data Type

Snapshot Picture	01h
Preview Picture	02h
JPEG Preview Picture	05h

### 8.2 Length

These three bytes represent the length of data of the Snapshot Picture, Preview Picture or JPEG Preview Picture.

## 9. SYNC (AA0Dh)

Either the host or the C328-7640 can issue this command to make connection. An ACK command must be sent out after receiving this command.

**10. ACK (AA0Eh)**

This command indicates the success of last operation. After receiving any valid command, ACK command must be sent out except when getting preview data. The host can issue this command to request image data package with desired package ID after receiving Data command from C328-7640. The host should send this command with package ID F0F0h after receiving a package to end the package transfer. Note that the field “command ID” should be 00h when request image data package.

**10.1 Command ID**

The command with that ID is acknowledged by this command.

**10.2 ACK Counter**

No use.

**10.3 Package ID**

For acknowledging Data command, these two bytes represent the requested package ID. While for acknowledging other commands, these two bytes are set to 00h.

**11. NAK (AA0Fh)**

This command indicates corrupted transmission or unsupported features.

**11.1 NAK Counter**

No use.

**11.2 Error Number**

Picture Type Error	01h	Parameter Error	0bh
Picture Up Scale	02h	Send Register Timeout	0ch
Picture Scale Error	03h	Command ID Error	0dh
Unexpected Reply	04h	Picture Not Ready	0fh
Send Picture Timeout	05h	Transfer Package Number Error	10h
Unexpected Command	06h	Set Transfer Package Size Wrong	11h
SRAM JPEG Type Error	07h	Command Header Error	F0h
SRAM JPEG Size Error	08h	Command Length Error	F1h
Picture Format Error	09h	Send Picture Error	F5h
Picture Size Error	0ah	Send Command Error	ffh

**12. Light Frequency (AA13h)**

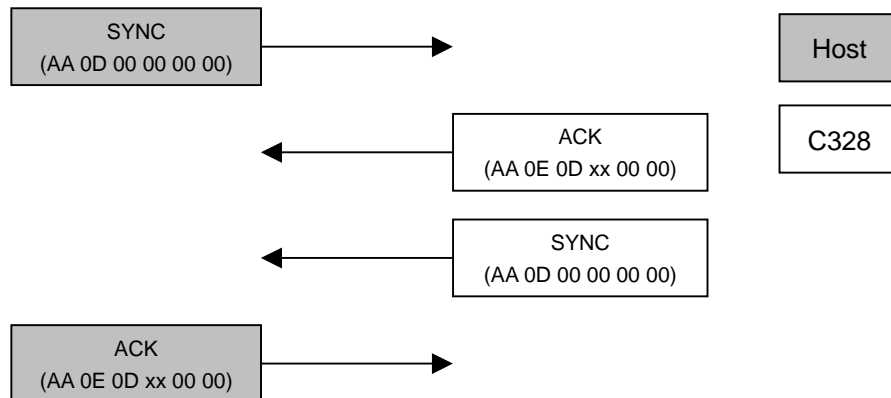
The host issues this command to change the light frequency of the C328-7640.

**12.1 Light Frequency Type**

50Hz	00h
60Hz	01h

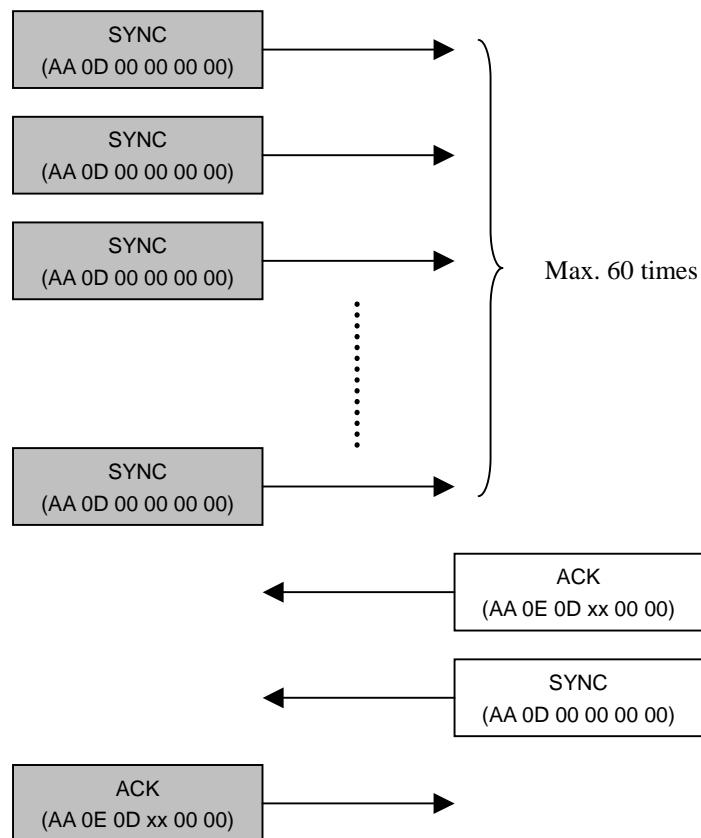
**Command Protocol**

1. SYNC Command



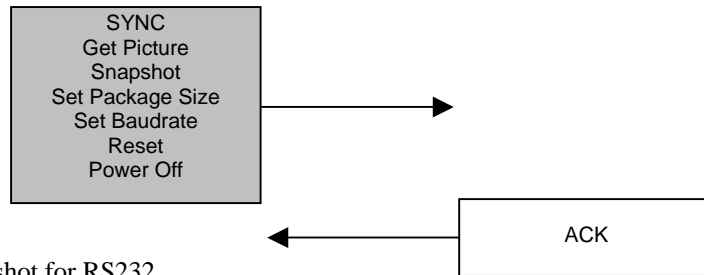
2. Make Connection with C328-7640

Send the SYNC command (at 14400bps) until receiving ACK command from C328-7640 (usually an ACK command is receive after sending 25 times of SYNC command). This must be done after power up.





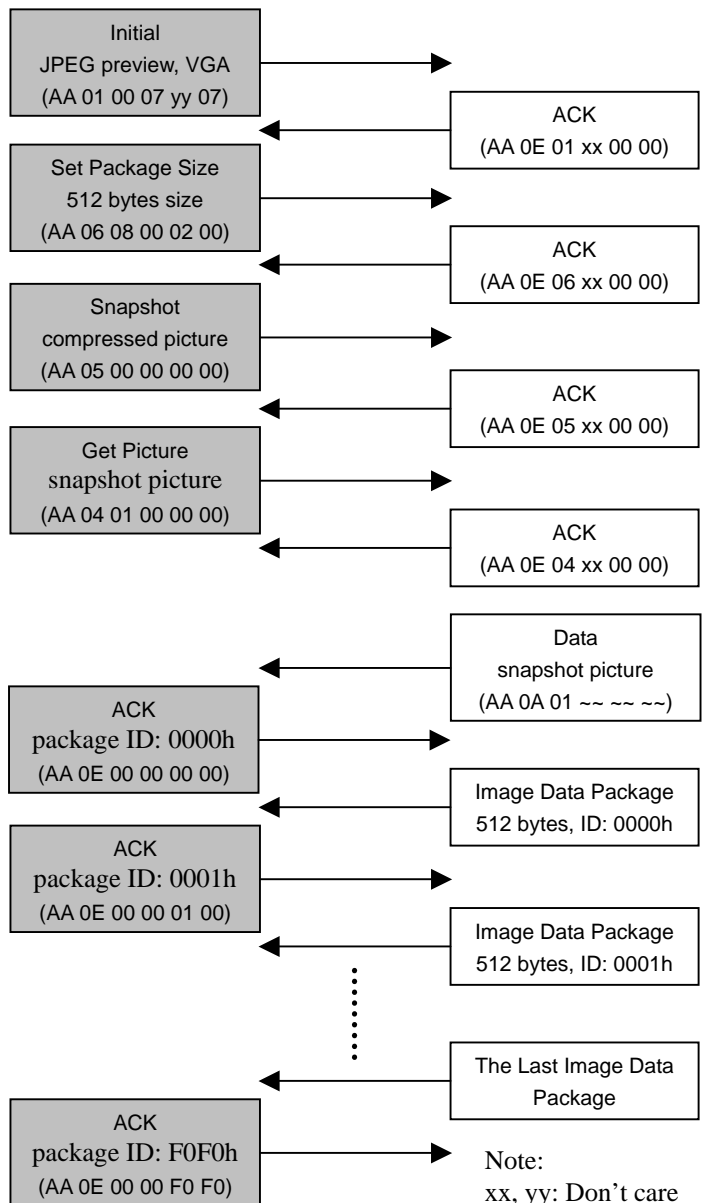
3. Initial, Get Picture, Snapshot, Set Package Size, Set Baudrate, Reset and Power Off Command



4. Getting a Snapshot for RS232

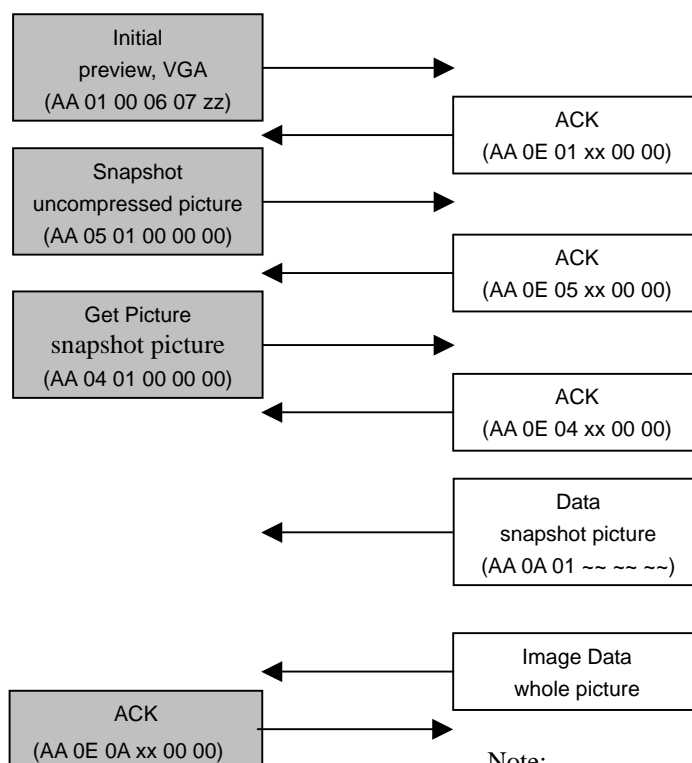
Make sure connection is made before the following communication.

4.1 JPEG Snapshot Picture (eg. 640x480 resolution)



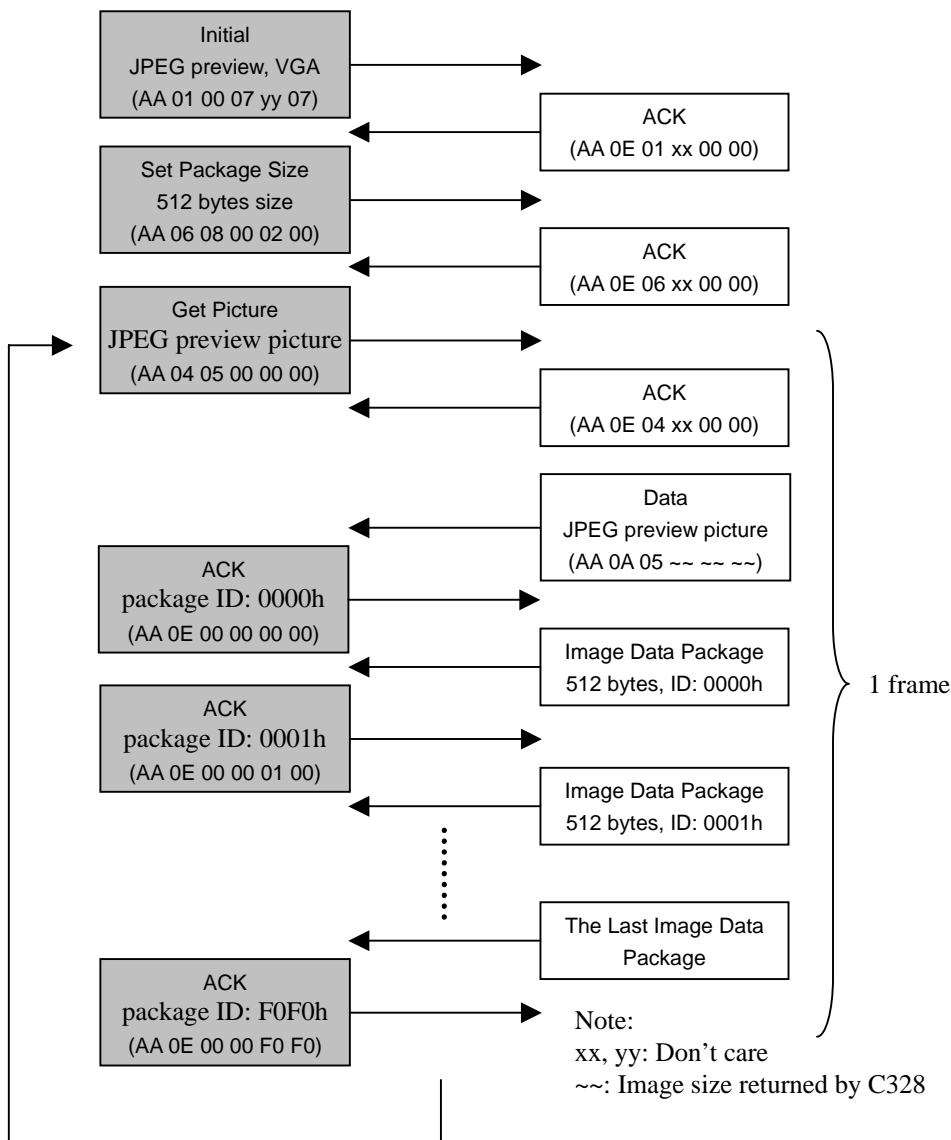
Note:  
xx, yy: Don't care  
~~: Image size returned by C328

4.2 Snapshot Picture (uncompressed snapshot picture)

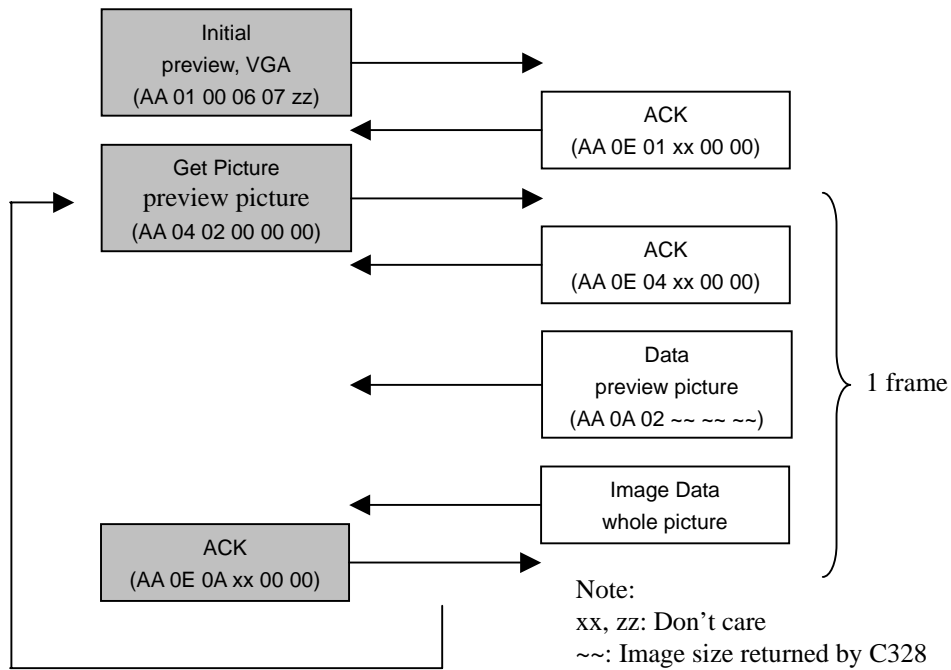


Note:  
xx, zz : Don't care  
~~: Image size returned by C328

- 5. Getting JPEG preview pictures (video) for RS232  
Make sure connection is made before the following communication.
- 5.1 JPEG Preview Picture



5.2 Preview Picture (uncompressed preview picture)



**FAQ**

- Q: What is the power range of the camera module?  
A: The range is **+3.0V - +3.6V**.
- Q: I want to establish the connection between a PC and the camera module. Is there any configuration should be done?  
A: To connection with a PC, a **RS-232 transceiver set-up** should be used as a communication interface.
- Q: I have sent an SYNC command to camera, but it has no response. How can I synchronize with the module?  
A: Users should send the SYNC commands one by one continuously until receiving the ACK and SYNC commands from the module. Normally, **25-60 SYNC** commands are required. After that, users should reply with an ACK command.
- Q: What is the baud rate to synchronize with the camera? Will the baud rate change after SYNC?  
A: C328 supports **7200, 9600, 14400, 19200, 28800, 38400, 57600 and 115200bps**. Users can synchronize with the camera at one of the baud rate above. Once synchronizing with camera successfully, the baud rate will not be changed until users change it with the "Set Baud rate" command.
- Q: When will the baud rate be changed after receiving the "Set Baud rate" command?  
A: The baud rate will be changed after the module reply with the ACK command. Users must use the new baud rate after this.
- Q: After sending "Getpicture" command to the camera, what will the users receive?  
A: After sending "Getpicture" command to the module, users will receive an "ACK", a "Data" command, "AA 0A 01 XX YY ZZ" telling you the image size, and then the first package of image data. .
- Q: How to use the image size returned? Also, how many packages must be received to get the captured image?  
A: Users can use the image size to calculate the number of packages will be received according to the package size set. The equation is shown in the following:  
**Number of package = Image size / (Package size – 6)**
- Q: According to the flow diagram, the ACK command for the first package is AA 0E 00 00 00 00 and that for the second one AA 0E 00 00 01 00. Is the third one AA 0E 00 00 02 00 or AA 0E 00 00 01 01?  
A: For the third package, it should be AA 0E 00 00 02 00. Those for the other package are shown in the following:  
**AA 0E 00 00 L'L H'H.**  
**L'L is the low byte of package ID**  
**H'H is the high byte of package ID**  
**i.e. ID = H'H L'L in hex**
- Q: After synchronization, I got the first picture with too low to too high luminance. What's wrong with it?  
A: After synchronization, the camera needs a little time for AEC and AGC to be stable. Users should wait for **1-2 seconds** before capturing the first picture.
- Q: What are the formats of the uncompressed pictures?  
A: The formats are shown in the following:  
2-bit Gray Scale: 2-bit for Y only  
4-bit Gray Scale: 4-bit for Y only  
8-bit Gray Scale: 8-bit for Y only  
12-bit Color: 444 (RGB)  
16-bit Color: 565 (RGB)